

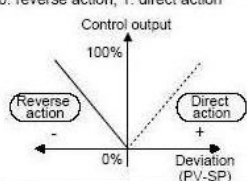


Yokogawa loop controller setup

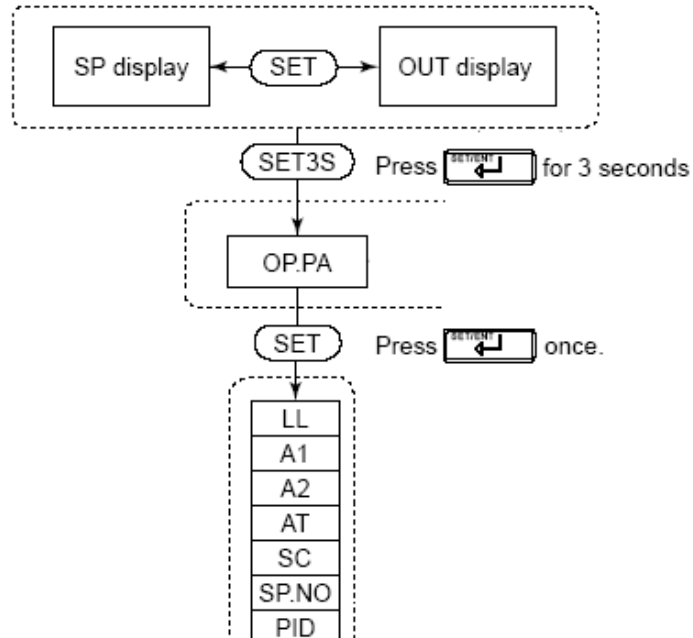
Yokogawa UT350/550 RS485 communications setup for Kiltel

Parameter Symbol	Name of Parameter	Setting Range and Description	Initial Value	Kiltel
P.SL (P.SL)	Protocol selection	0: PC link communication 1: PC link communication (with sum check) 2: Ladder communication 3: Coordinated master station 4: Coordinated slave station 7: MODBUS (ASCII) 8: MODBUS (RTU) 10: Coordinated slave station (loop-1 mode) 11: Coordinated slave station (loop-2 mode) (10, 11: When the master station is in dual-loop control, the slave station selects either of the loops to be controlled.)	0	0
bPS (BPS)	Baud rate	0: 600, 1: 1200, 2: 2400, 3: 4800, 4: 9600 (bps)	4	4
PrI (PRI)	Parity	0: None 1: Even 2: Odd	1	0
StP (STP)	Stop bit	1, 2	1	1
dLn (DLN)	Data length	7, 8; Fixed at 7, when the P.SL parameter is set to MODBUS (ASCII). Fixed at 8, when the P.SL parameter is set to MODBUS (RTU) or Ladder Communication.	8	8
Adr (ADR)	Address	1 to 99 However, the maximum number of stations connectable is 31.	1	2-99

Yokogawa UT350/550 setup for current-loop input from a Setra draft pressure sensor, and current-loop output for an actuator or VFD

Parameter Symbol	Name of Parameter	Setting Range and Description	Initial Value	Kiltel
In (IN)	PV input type (PV INPUT terminals) ① - ② - ③ terminals	OFF (0), 1 to 18, 30, 31, 35 to 37, 40, 41, 50, 51, 55, 56 See "Instrument Input Range Codes" in "2. Initial Settings."	OFF (0)	41
SDP (SDP)	PV input decimal point position (displayed at voltage input)	0 to 3 Set the position of the decimal point of voltage-mode PV input. 0: No decimal place 1: One decimal place 2,3: Two, three decimal places	1	3
SH (SH)	Max. value of PV input scale (displayed at voltage input)	-1999 to 9999, however SL < SH Set the read-out scale of voltage-mode PV input.	100.0	.250
SL (SL)	Min. value of PV input scale (displayed at voltage input)		0.0	-.250
dr (DR)	Direct/reverse action switching	0: reverse action, 1: direct action 	0	1
ot (OT)	Control output type	0: Time proportional PID relay contact output (terminals ①-②-③) 1: Time proportional PID voltage pulse output (terminals ⑩-⑪) 2: Current output (terminals ⑫-⑬) 3: ON/OFF control relay contact output (terminals ①-②-③)	0	2

Remote communications setup for UT350 models



Parameter Symbol	Name of Parameter	Setting Range and Description	Initial Value	Kitel
SP.no (SP.NO)	Target setpoint number selection	0: Use target setpoint via communication. 1: Selects target setpoint 1 (1.SP). 2: Selects target setpoint 2 (2.SP). 3: Selects target setpoint 3 (3.SP). 4: Selects target setpoint 4 (4.SP).	1	0