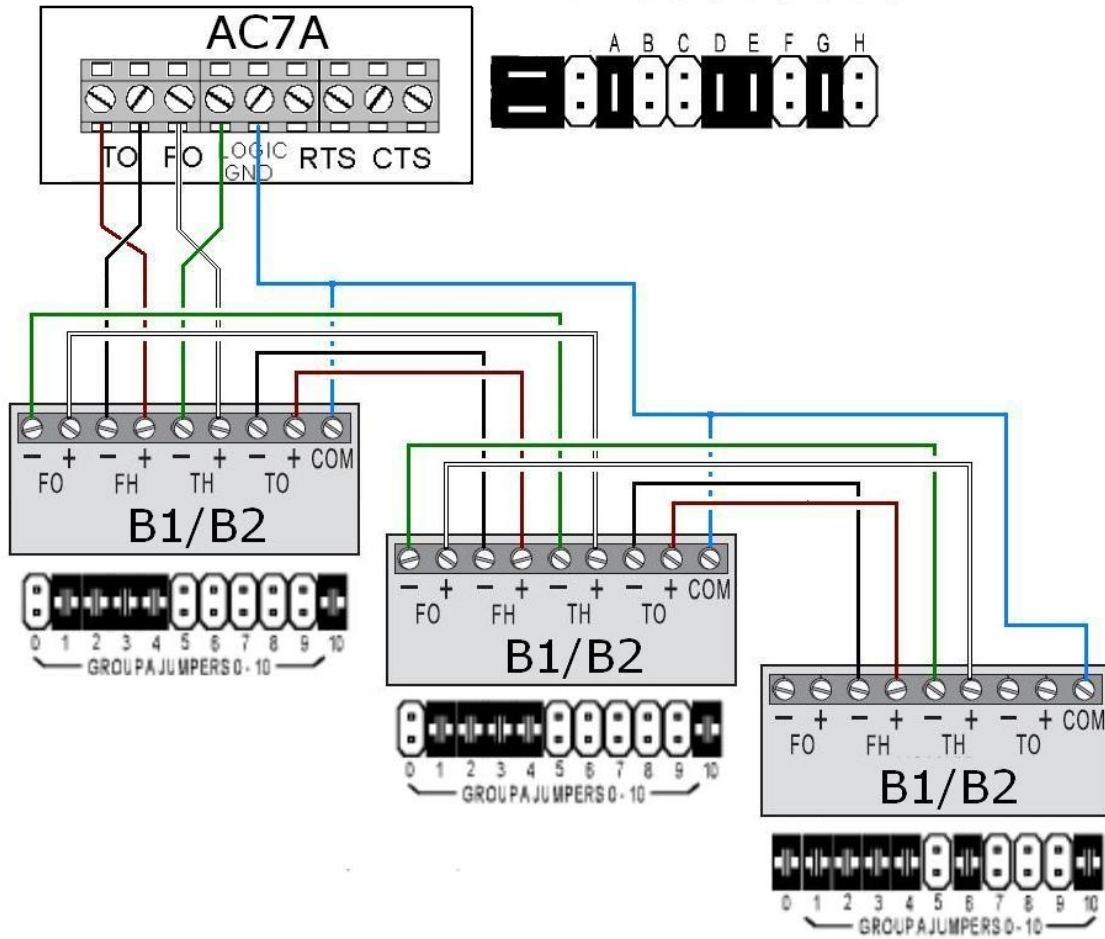


Opto22 Brainboard Wiring



Group B jumpers (address, baud rate and protocol)

